

FACULTY OF ENGINEERING

B.E. 2/4 (M/P/AE) I-Semester (Supplementary) Examination, June/July 2011

MACHINE DRAWING

Time : Three Hours]

[Maximum Marks : 75

- Note** :—(1) Answer ALL questions from Part—A and Part—B.  
 (2) Assume Proportionate dimensions wherever necessary.  
 (3) Choose suitable scale and indicate proportions for free hand sketches.  
 (4) Fold the Drawing Sheet to the size of Main answer book.

**PART—A (Marks : 5 × 5 = 25)**

1. Draw the half sectional front view and side view of a split muff coupling. 5
2. Draw the front view, side view from right and top view as shown in Fig. 1 below : 5

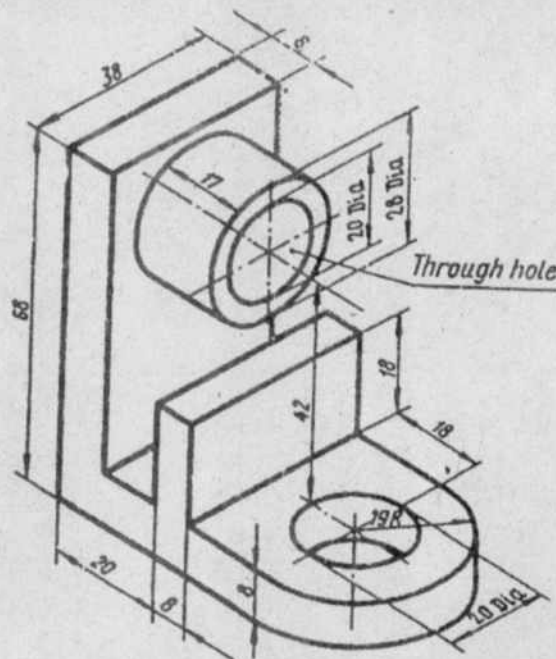


Fig. 1 : Bracket

3. Draw an eye foundation bolt of diameter 30 mm, suitably positioned in the foundation base. 5

4. Draw the two views of a square headed bolt of dia 30 mm, with a square nut and washer, suitable to fasten two plates of thickness 25 mm each. 5
5. Draw half sectional front view and top view of a cotter joint with socket and spigot ends to connect two rods of 50 mm diameter. 5

**PART—B (Marks : 50)**

6. Assemble all the parts of cross head given in Fig. 2.

Draw :

- (a) Half sectional front view with upper half in section. 35
- (b) Left side view. 15