

Roll No

AU/ME-4003 (CBGS)

B.E. IV Semester

Examination, May 2018

Choice Based Grading System (CBGS)

Machine Drawing and CAD

Time : Three Hours

Maximum Marks : 70

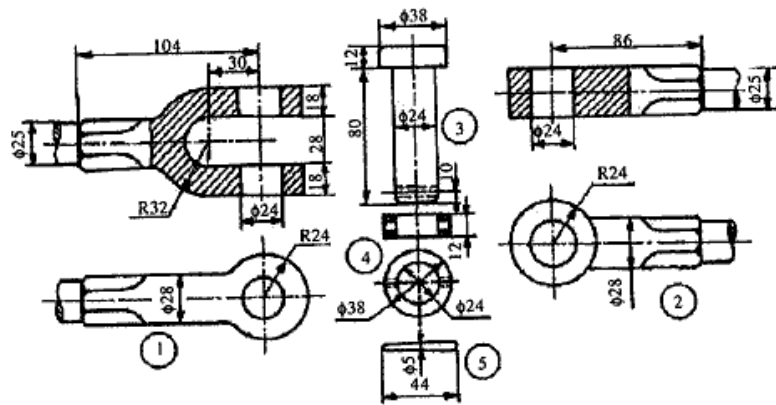
Note: Answer any five questions. All questions carry equal marks.

1. a) Draw any five conventional representations of machines components. 7
b) Sketch any two types of structural riveted, indicating proportionate dimensions. 7
2. Sketch the following welding symbol along with respective illustration. 14
 - a) Single V-butt weld
 - b) Single U-butt weld
 - c) Square butt weld
 - d) Filled weld
 - e) Spot weld
3. Assemble the parts of a knuckle joint, shown in figure-1 and draw 14
 - a) Sectional view from the front and
 - b) View from above

4. Assemble the parts of a Stuffing box, shown in figure-2 and draw 14
 - a) Half sectional view from the front, showing top half in section and
 - b) The view from the left
5. What are soft ware and hardware required to produce CAD drawing. Explain any one in each. 14
6. What are the commands used in 3D models and explain any two. 14
7. Explain any five commands of the following: 14
 - a) Line and polyline
 - b) Circle
 - c) Hatching
 - d) Text
 - e) Dimensioning
 - f) Layers/levels
 - g) Colours
8. a) Compare 2D and 3D wireframe modeling with respect to their utility for an engineering industry. 7
b) Explain the parametric representation of curves. Why its more used compared to non-parametric (implicit) representation? 7

[3]

For Question No. 3



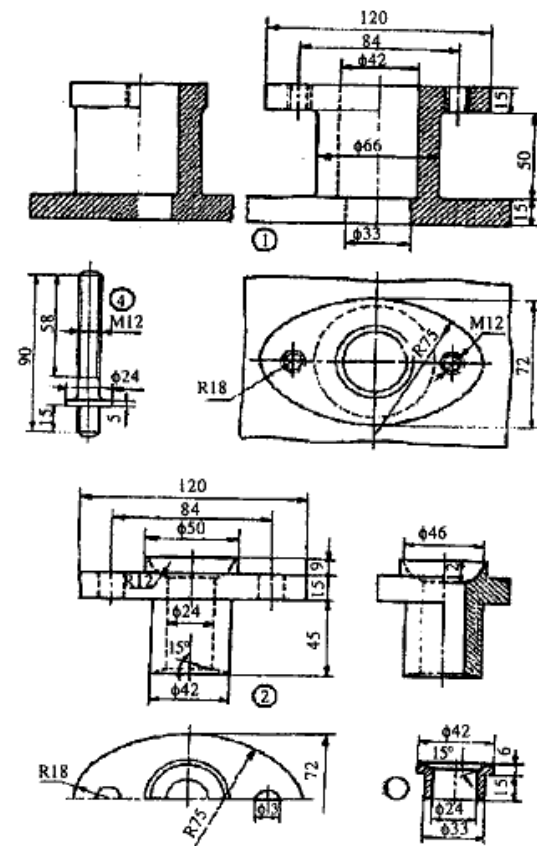
Parts list

Sl. No.	Name	Matl.	Qty.
1	Fork end	Forged steel	1
2	Eye end	Forged steel	1
3	Pin	Mild steel	1
4	Collar	Mild steel	1
5	Taper pin	Mild steel	1

Figure - 1

[4]

For Question No. 4



Parts list

Part No.	Name	Matl.	Qty.
1	Body	CI	1
2	Gland	Brass	1
3	Bush	Brass	1
4	Stud	MS	2
5	Nut M12	MS	2

Figure-2