

ME 405 MACHINE DRAWING II
(1998 Admissions)

Time: 3 Hours

Maximum marks: 100

- I. The isometric view of a protected type flanged coupling is shown in figure. 1. Draw the following views:
 (i) Top half sectional elevation (25)
 (ii) End view looking from the right hand side. (15)
- OR**
- II. The isometric view of a footstep bearing is shown in figure. 2. Draw the following views:
 (i) Left half sectional elevation. (25)
 (ii) Plan (15)
- III. Details of a Rams bottom safety valve is shown in figure 3. Draw the following views to a suitable scale.
 (i) Right half sectional elevation. (35)
 (ii) End view from left hand side. (25)
- OR**
- IV. Details of a lathe tool post is given in figure 4. Draw the following views to a suitable scale:
 (i) Right half sectional elevation. (35)
 (ii) Plan (25)

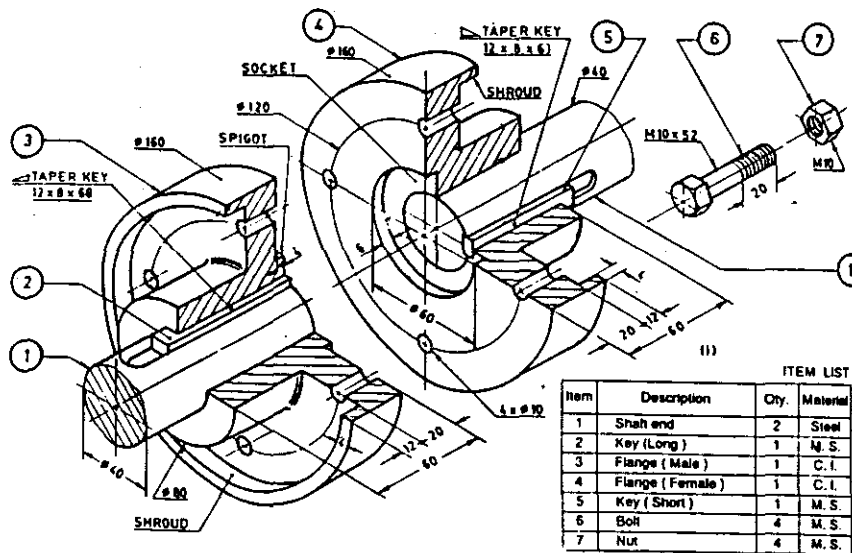


Fig. 1

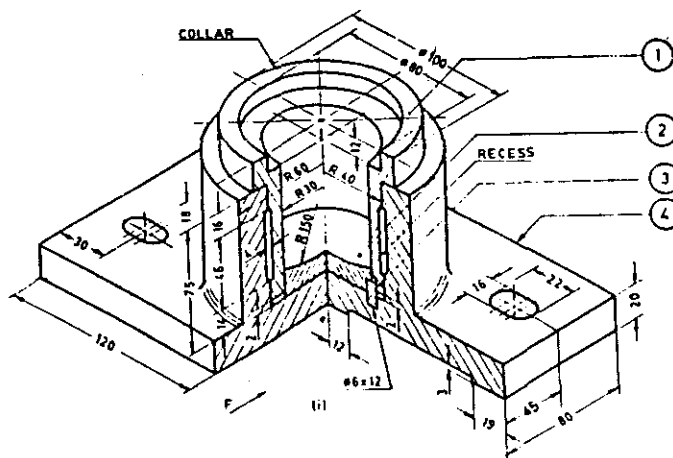


Fig. 2

(Turn over)

