



Estd : 2001

RN SHETTY TRUST®

# RNS INSTITUTE OF TECHNOLOGY

Affiliated to VTU, Recognized by GOK, Approved by AICTE, New Delhi  
(NAAC 'A+ Grade' Accredited, NBA Accredited)

Channasandra, Dr. Vishnuvardhan Road, Bengaluru - 560 098

Ph:(080)28611880,28611881 URL: [www.rnsit.ac.in](http://www.rnsit.ac.in)

SEM: 1<sup>st</sup> SEM

SUB: Computer-Aided Engineering Drawing

SUB CODE: BCEDK103

DATE: 12/01/2024

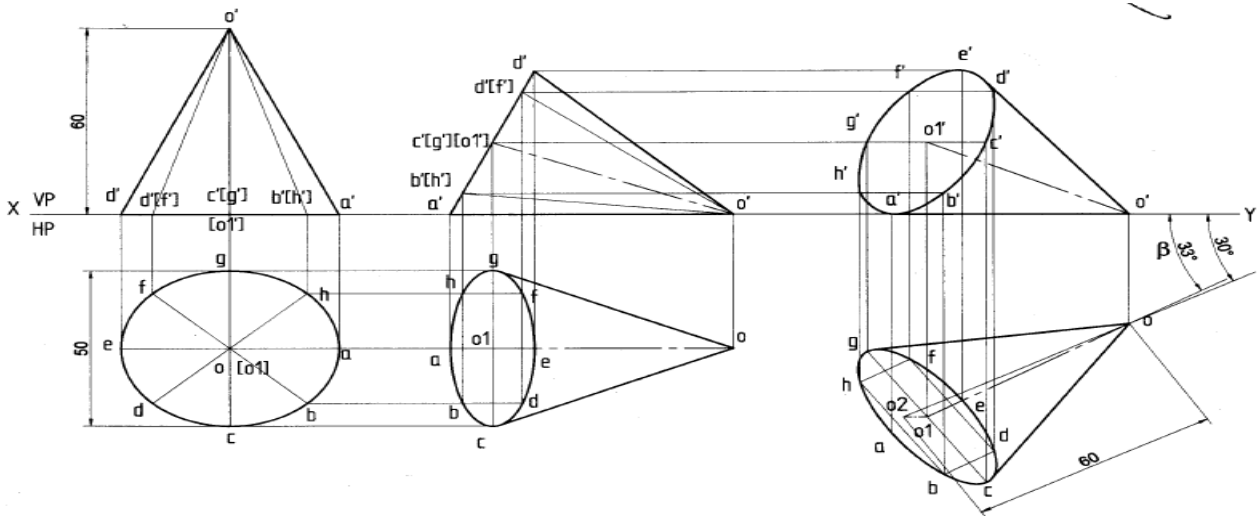
Time: 1.5 Hr

Max Marks: 50

## IA3-SOLUTIONS

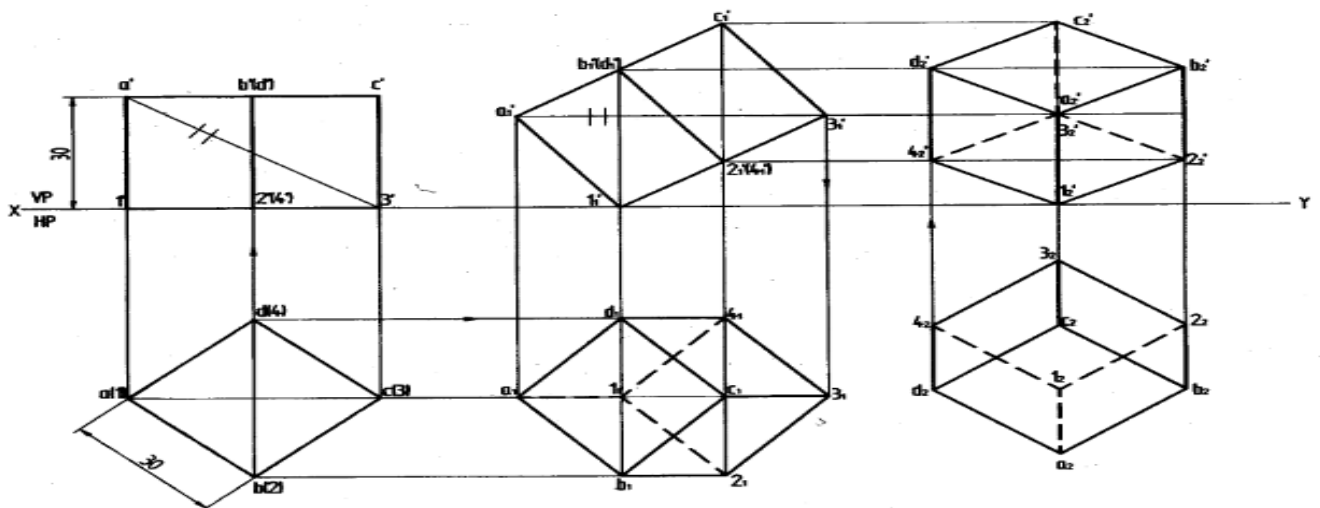
### PART-A

1.



6+6+8=20

2.



6+6+8=20



RN SHETTY TRUST®

# RNS INSTITUTE OF TECHNOLOGY

Affiliated to VTU, Recognized by GOK, Approved by AICTE, New Delhi  
(NAAC 'A+ Grade' Accredited, NBA Accredited)

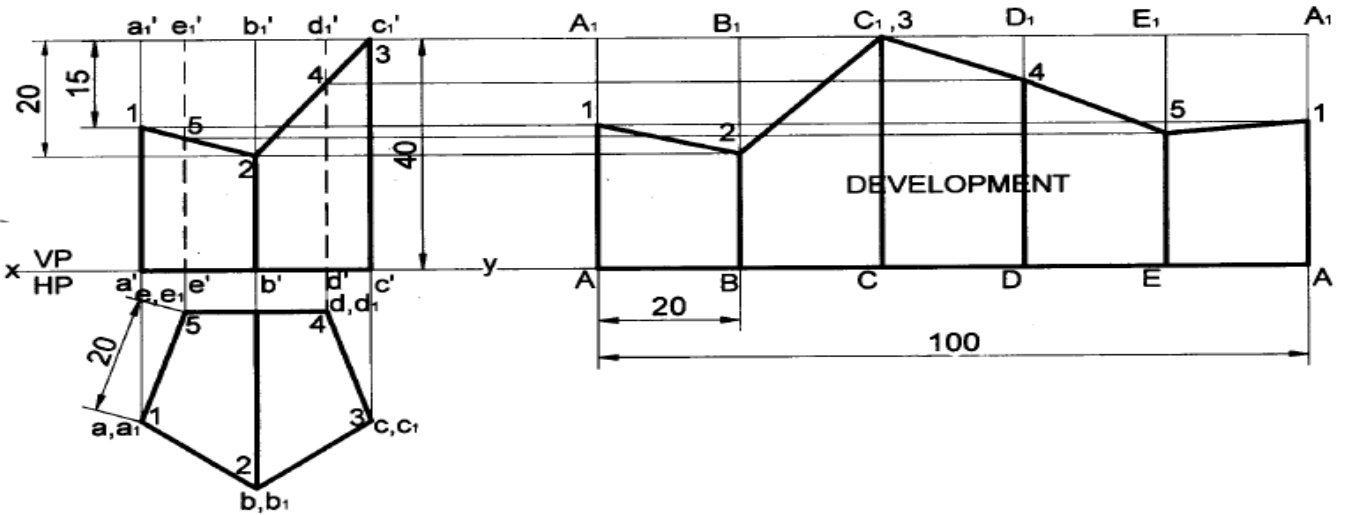
Channasandra, Dr. Vishnuvardhan Road, Bengaluru - 560 098

Ph:(080)28611880,28611881 URL: [www.rnsit.ac.in](http://www.rnsit.ac.in)

Estd : 2001

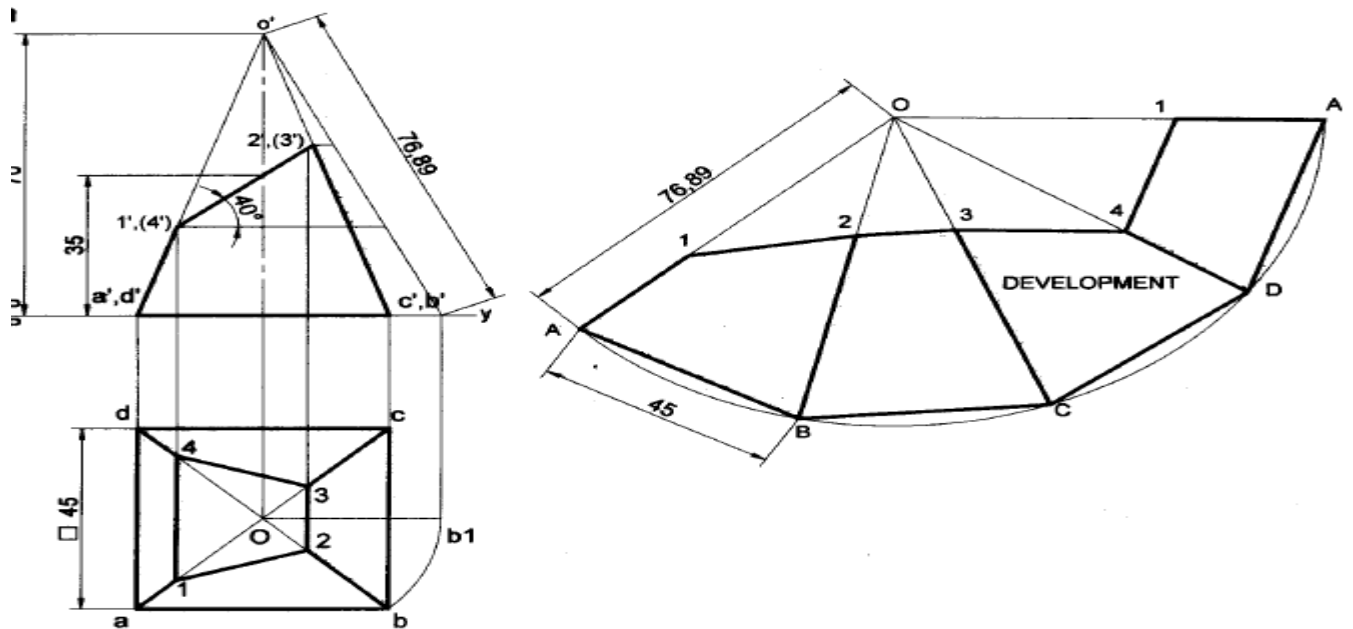
## PART-B

3.



5+10=15

4.



5+10=15



**RN SHETTY TRUST®**

# **RNS INSTITUTE OF TECHNOLOGY**

Affiliated to VTU, Recognized by GOK, Approved by AICTE, New Delhi  
(NAAC 'A+ Grade' Accredited, NBA Accredited)

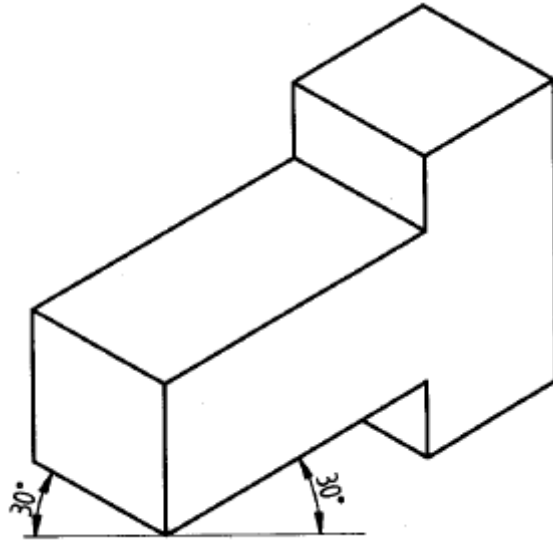
Channasandra, Dr. Vishnuvardhan Road, Bengaluru - 560 098

Ph:(080)28611880,28611881 URL: [www.rnsit.ac.in](http://www.rnsit.ac.in)

Estd : 2001

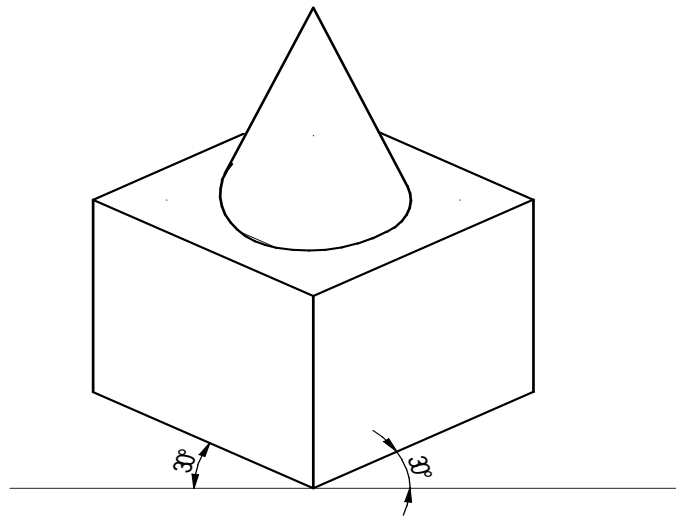
## **PART-C**

5.



$$8+7=15$$

6.



$$7+8=15$$